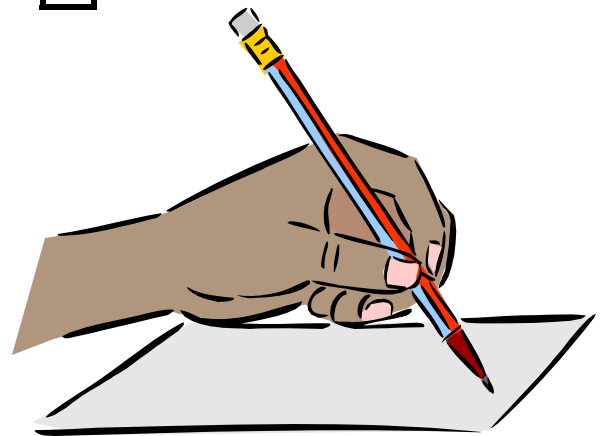
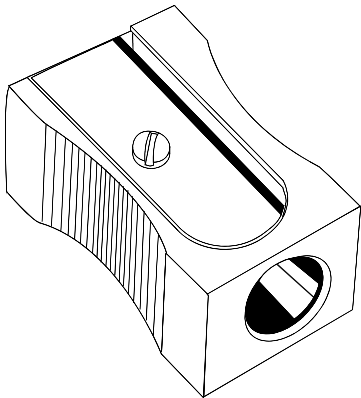
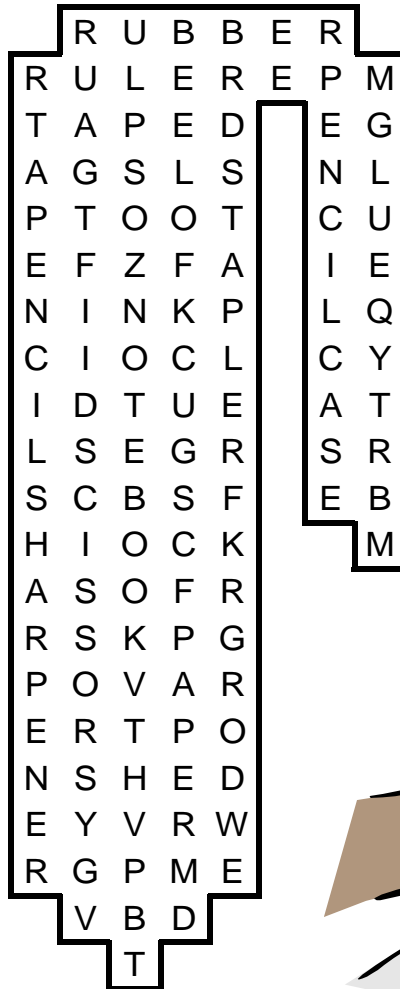
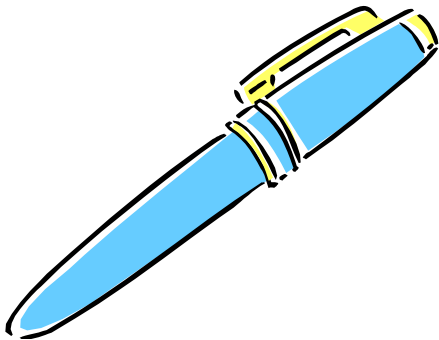


# Stationary wordsearch

Find the words and complete the word search.



Unscramble the words and then find them in the word search.

|        |            |                |        |          |
|--------|------------|----------------|--------|----------|
| bbreur | ulrer      | apte           | olredf | kin      |
| ulge   | encileascp | apestlr        | eskd   | koobnteo |
| apper  | sssscior   | encilsharnerpe |        |          |

# Teacher's answers

