

# ESL Kids World: Travelling on an Aeroplane

Name: \_\_\_\_\_

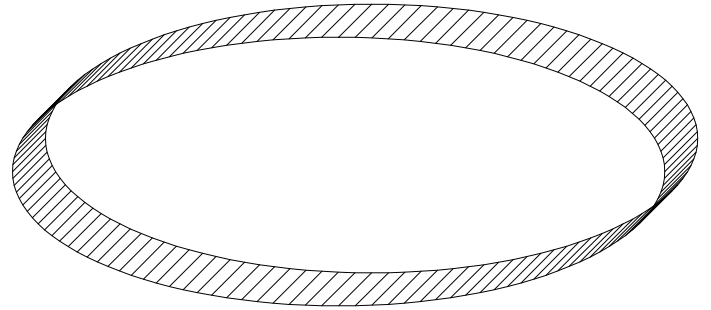
Date: \_\_\_\_\_

Complete the worksheet by writing the correct action and then draw that action in the box provided. Put these actions in the right order. For example: **First**, check in your bags.

then...    next...    finally...

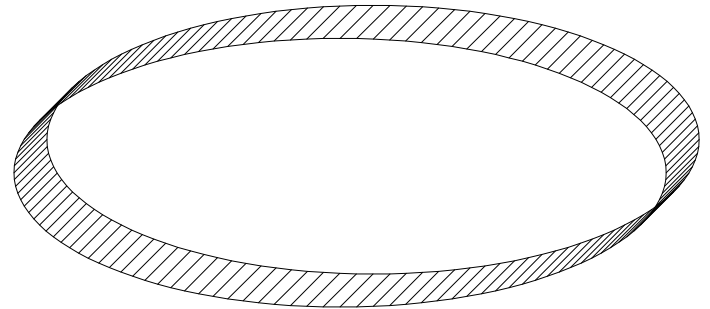
1. First, \_\_\_\_\_

\_\_\_\_\_  
\_\_\_\_\_



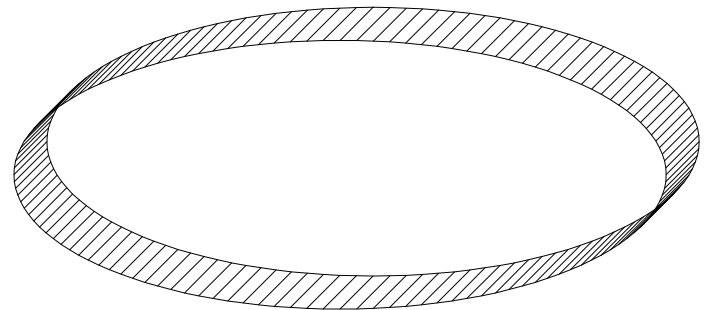
2. Then, \_\_\_\_\_

\_\_\_\_\_  
\_\_\_\_\_



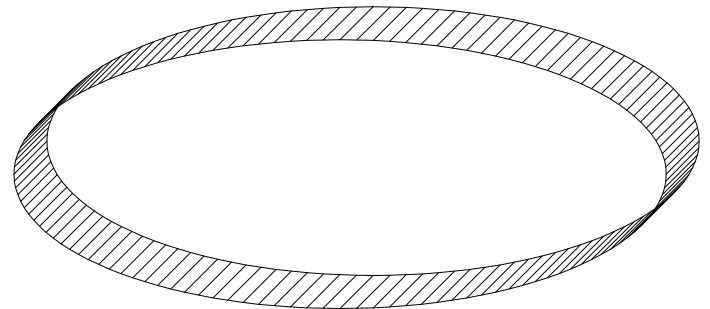
3. Next, \_\_\_\_\_

\_\_\_\_\_  
\_\_\_\_\_



4. Finally, \_\_\_\_\_

\_\_\_\_\_  
\_\_\_\_\_



Use the words below:

1. Check in

2. Passport check

3. Get on the plane

4. Fasten your seat belt

5. Take off

6. Land